

10" Driver

Subwoofer Enclosure

## Overall Dimensions

Width 320mm

Depth 320mm

Height 305mm (excluding footers)

Gross Volume 19.24 liter

Net Volume 15.07 liter

MDF thickness: 3/4" for all except 1" for inner driver mount

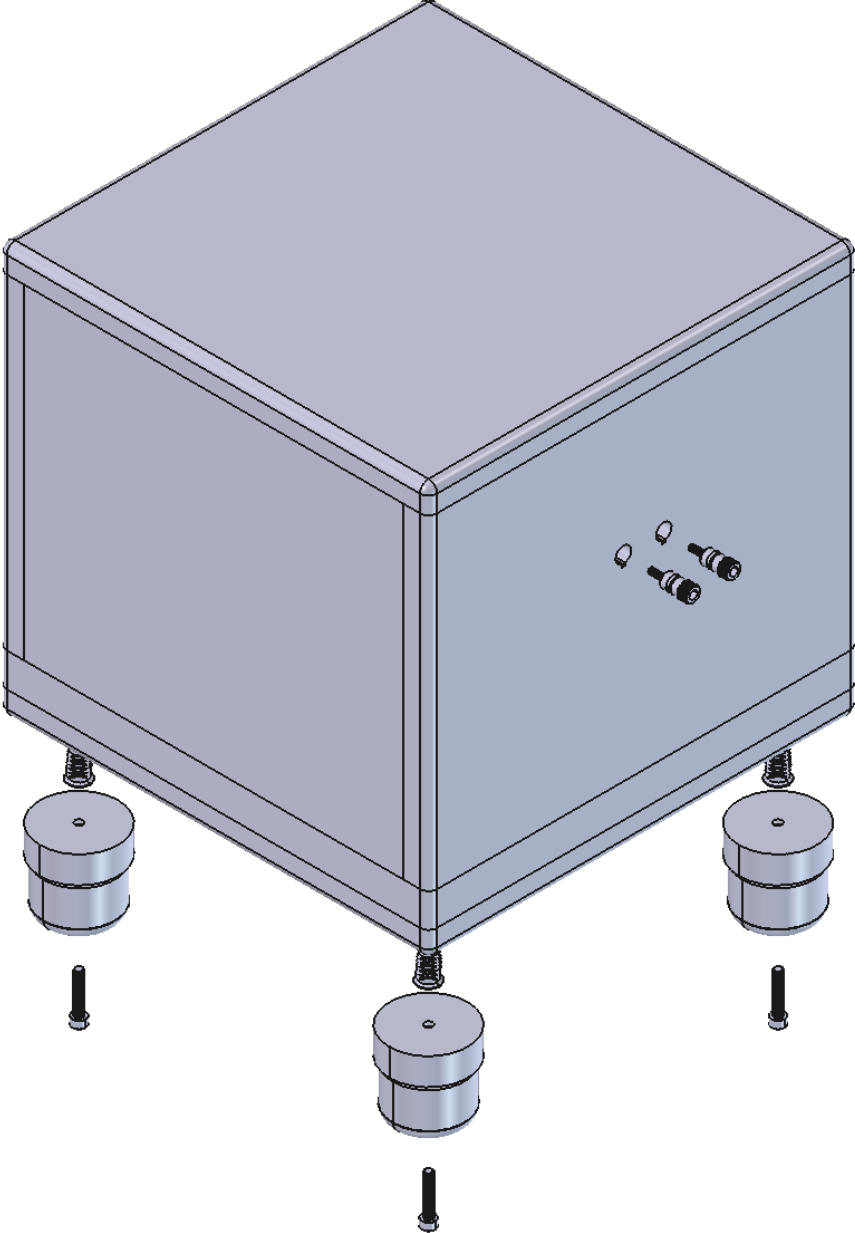
Note: Will be using SVS SoundPath Isolation Feet with M6 bolt

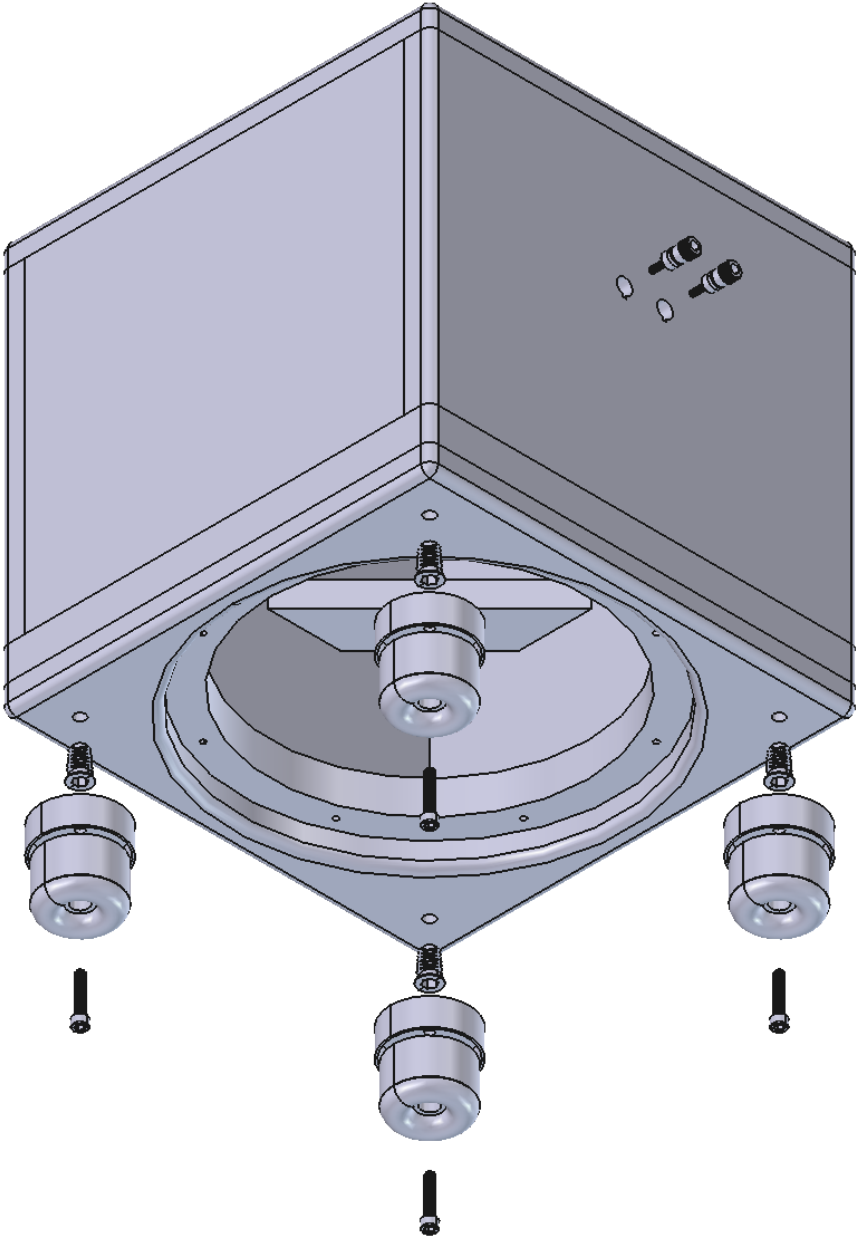
## Edge Finish

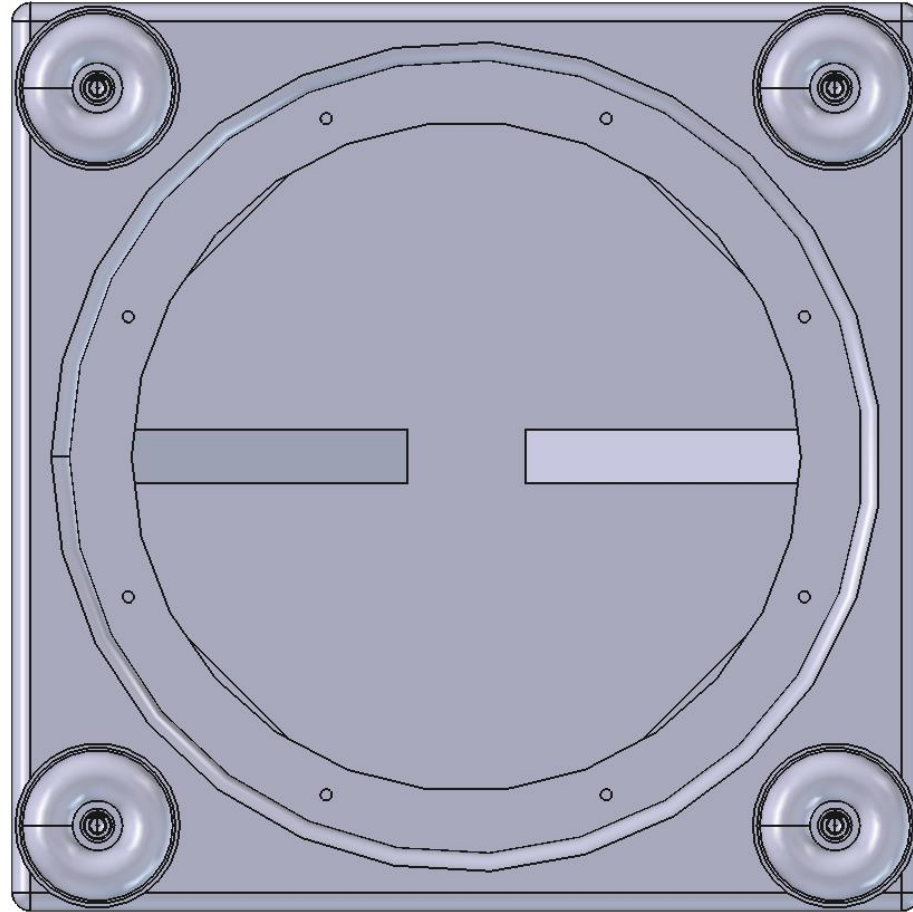
For Bottom Outer and Top Panels, use Router to chamfer the edges before assembly.

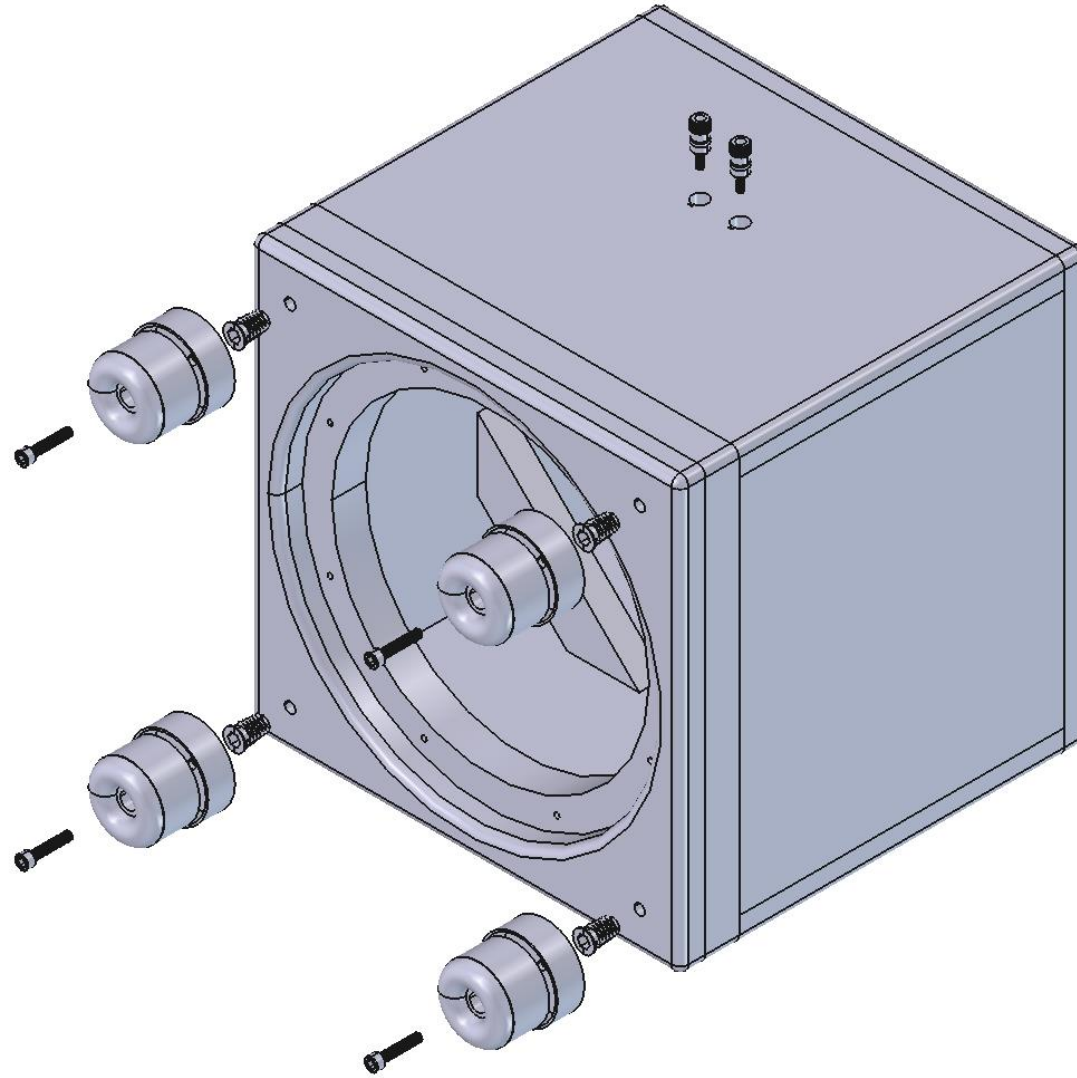
For the 4 vertical edges, use Router to chamfer the edges after enclosure assembly.

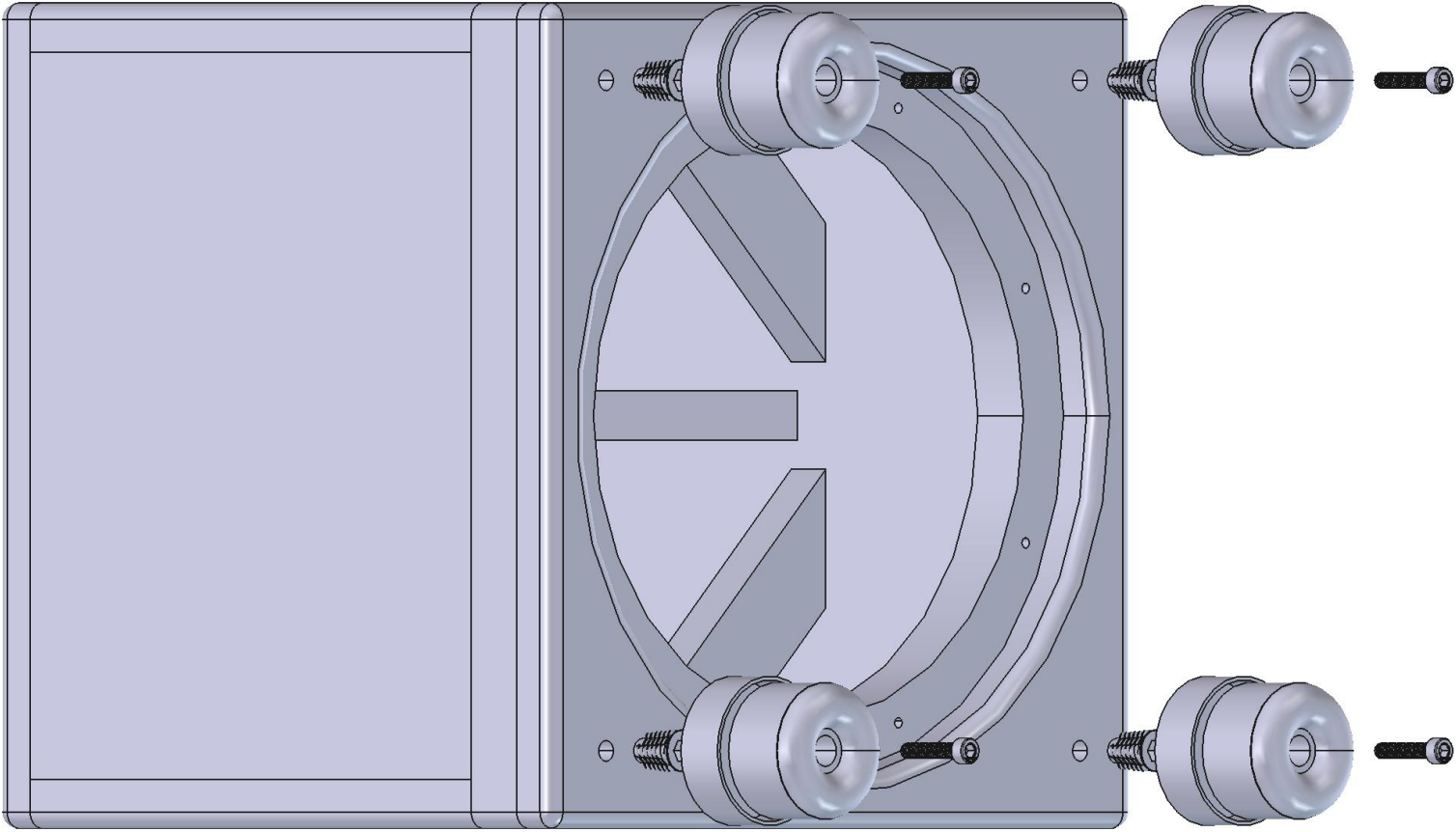
Please use either 1/4" or 3/8" router corner rounding bit shank with bearing.

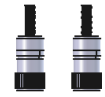
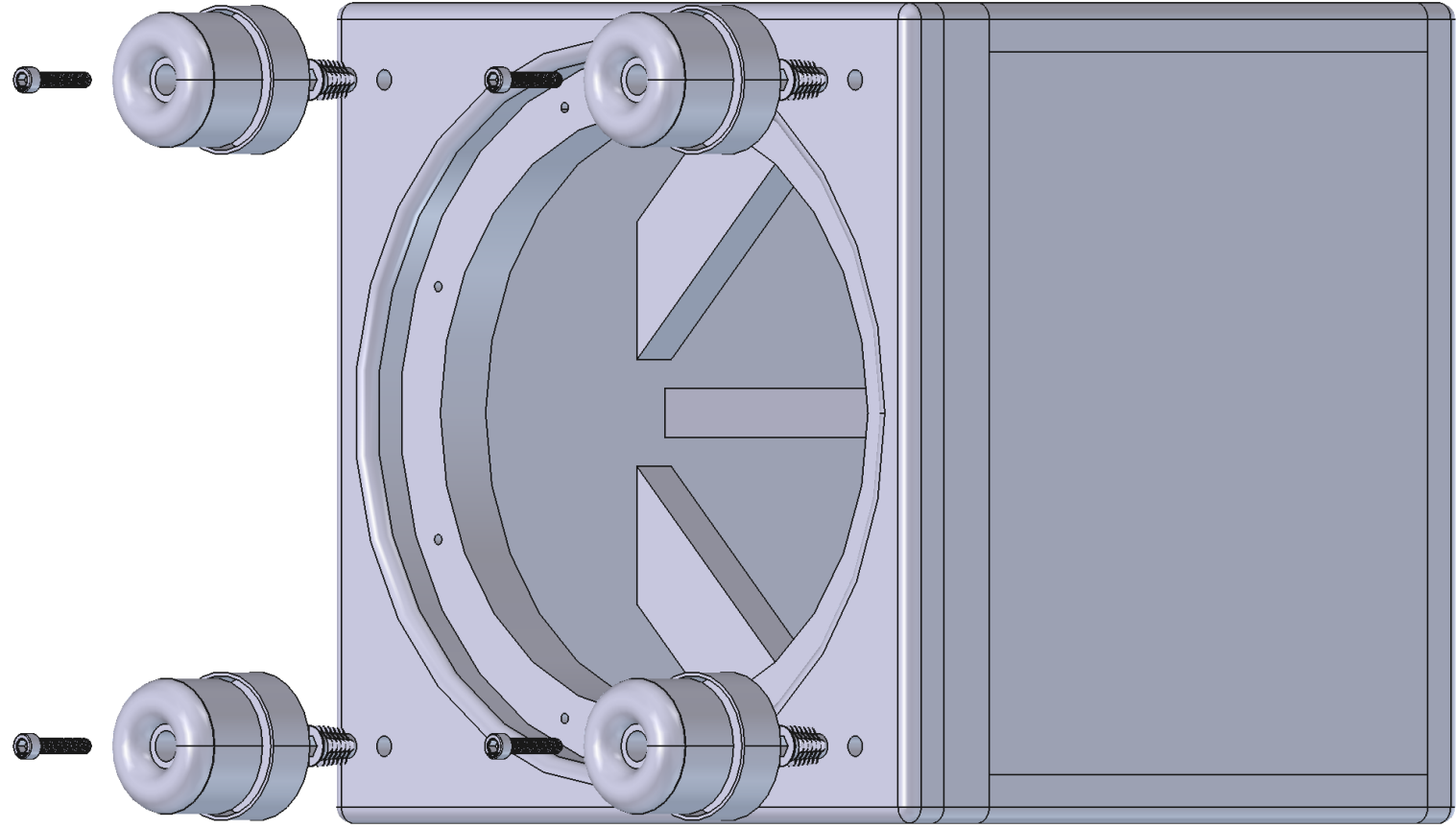


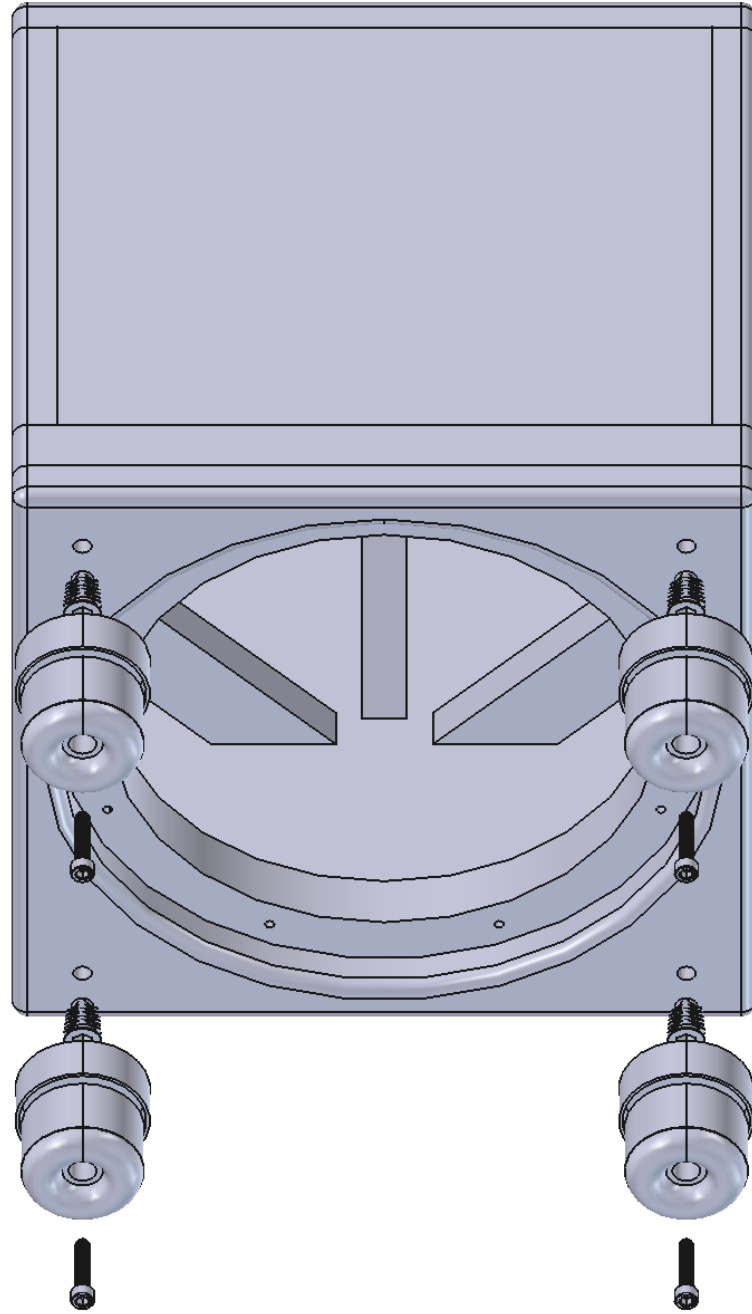


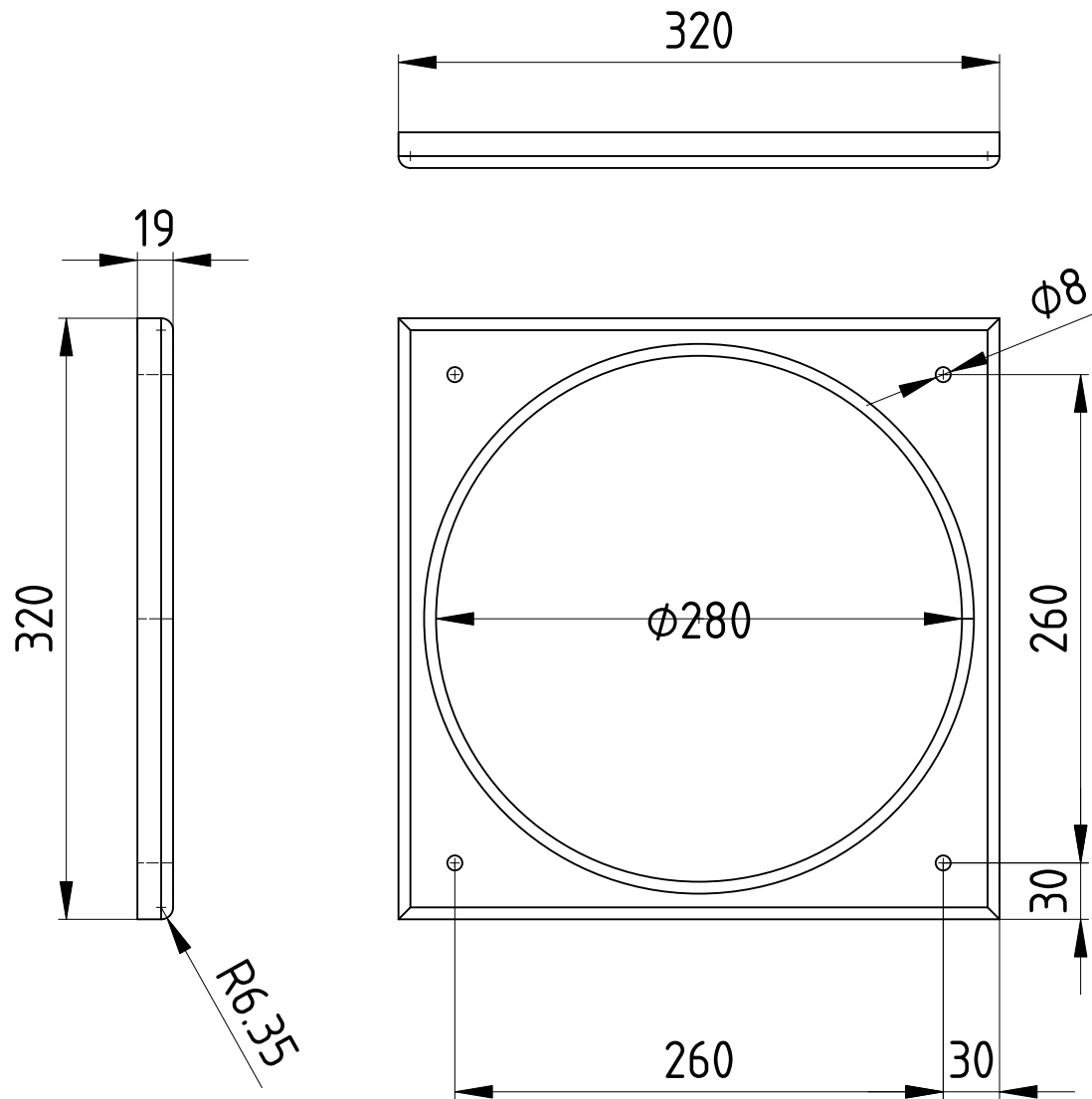




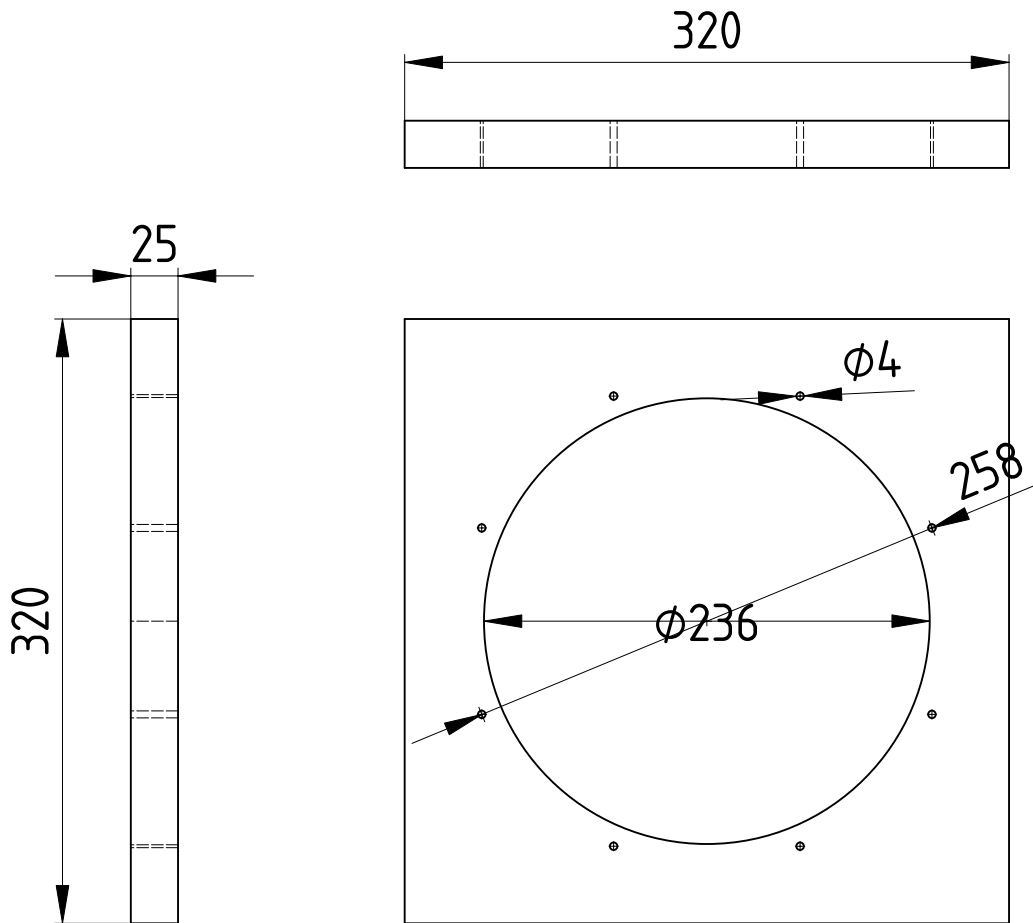








Bottom Outer Panel  
 320 x 320mm  
 3/4" thick MDF (~19mm)  
 1/4" fillet for 1 side  
 4 x 8mm dia pilot holes  
 for M6 threaded insert



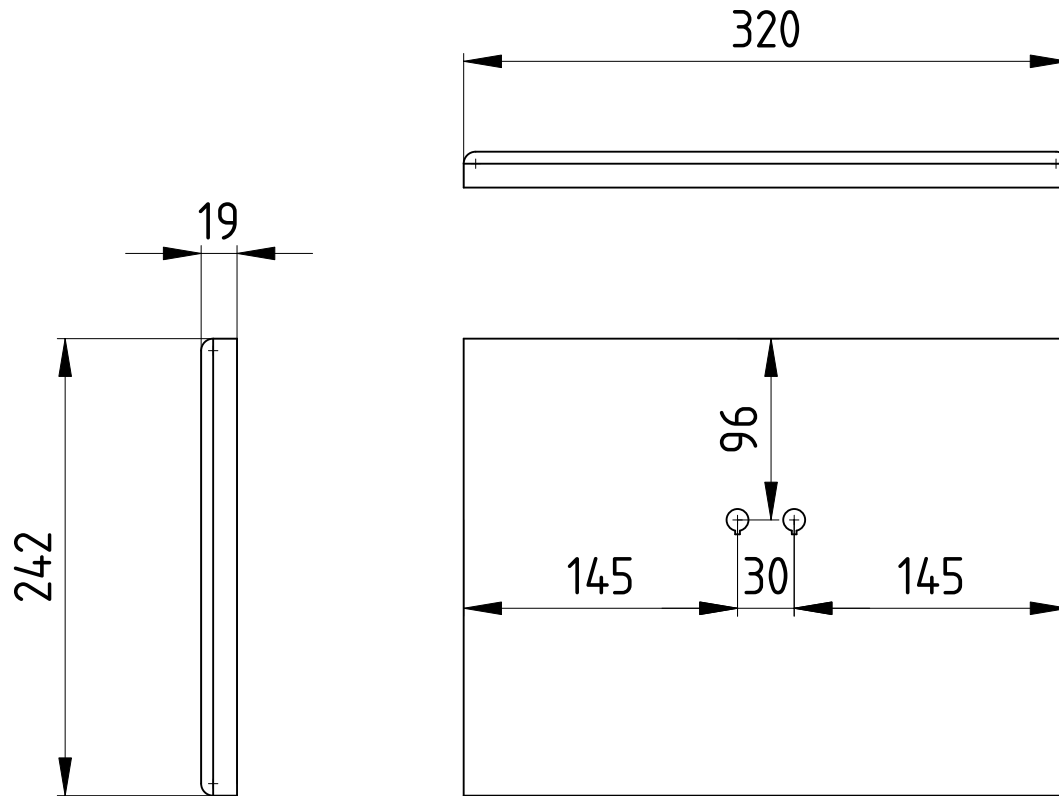
Bottom Inner Panel

320 x 320mm

1" thick MDF (~25mm)

8 x 4mm dia pilot holes

for speaker driver mount



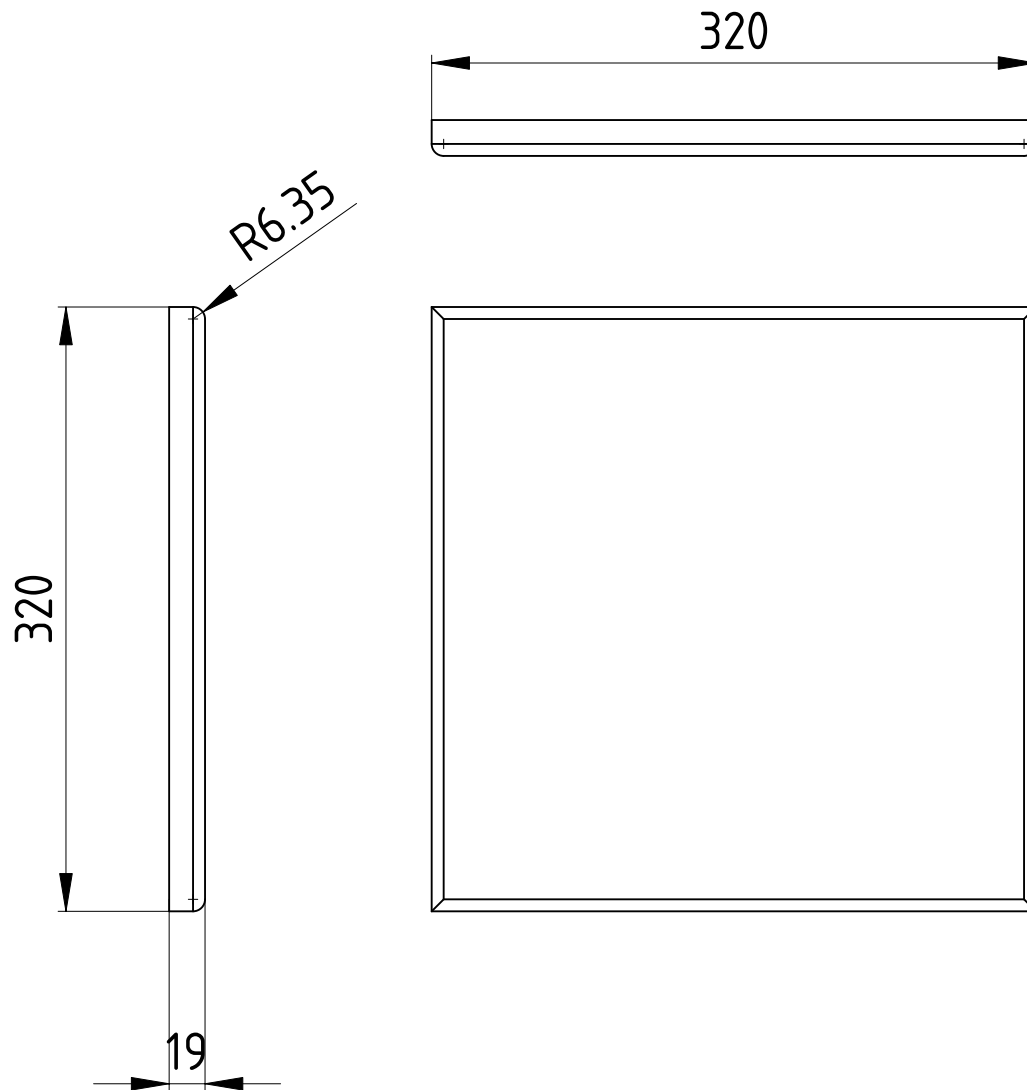
Rear Panel

320 x 242 mm

3/4" thick MDF (~19mm)

1/4" fillet on 1 side

2 holes for binding posts



Top Panel

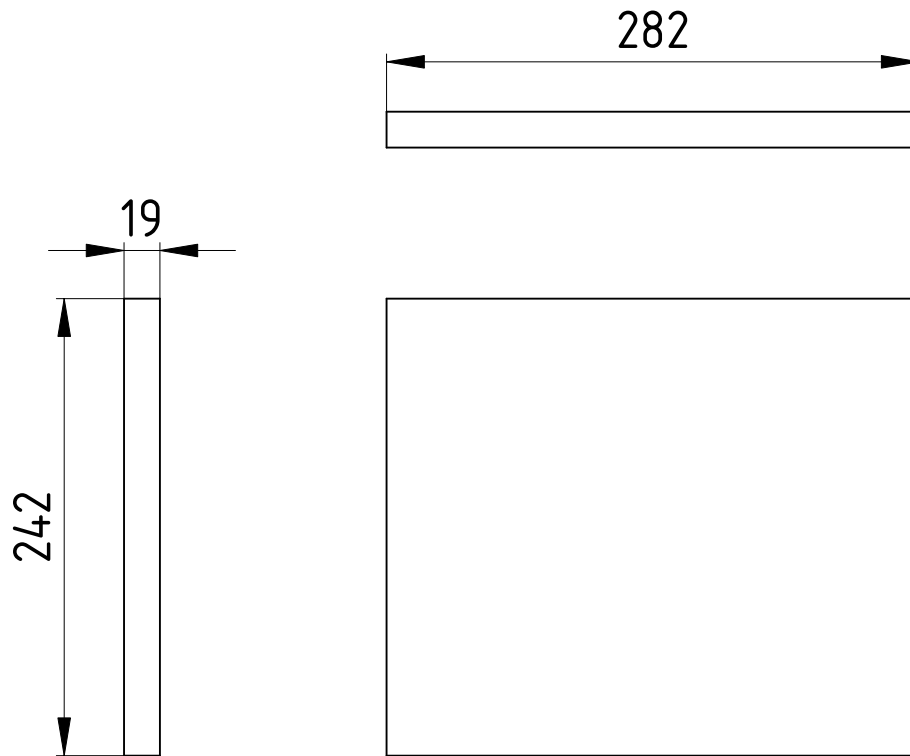
320 x 320 mm

3/4" thick MDF (~19 mm)

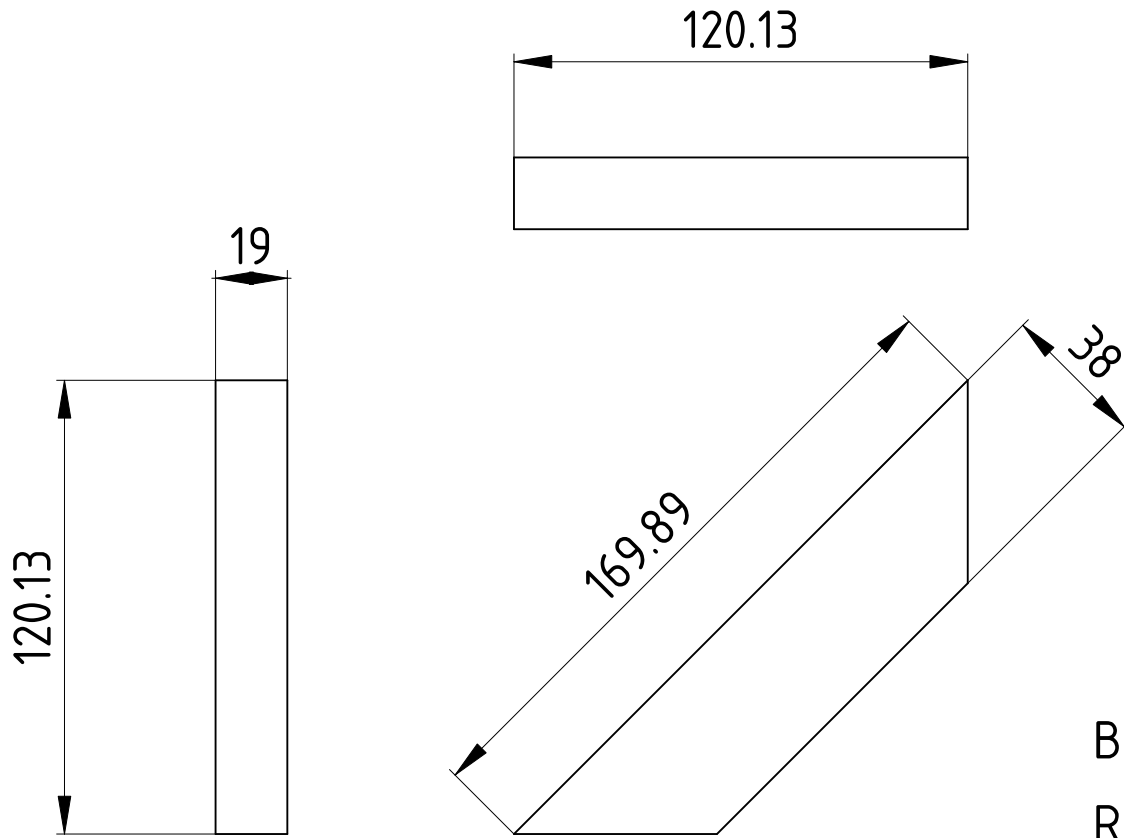
1/4" fillet (1 side)



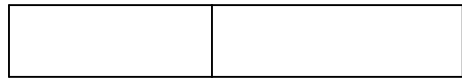
Front Panel  
320 x 242mm  
3/4" thick MDF (~19mm)

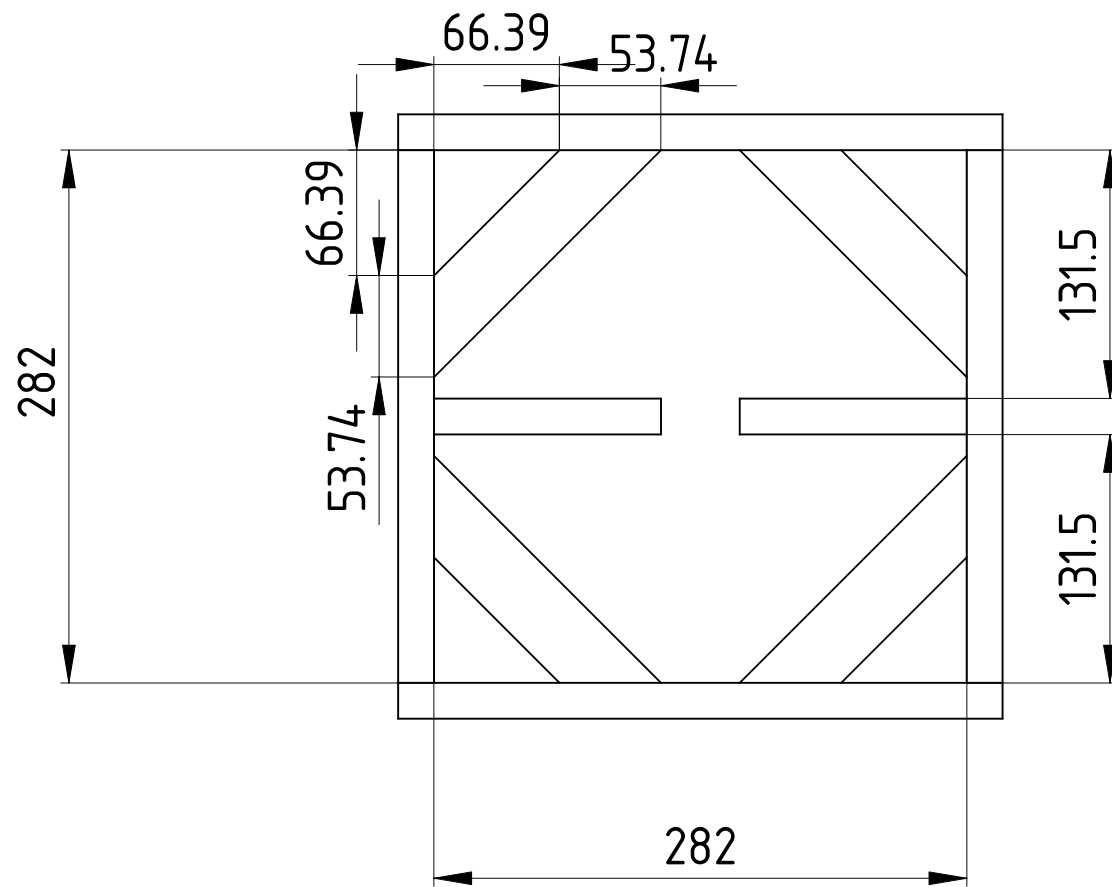


Left and Right Panels  
282 x 242 mm  
3/4" thick MDF (~19mm)



Braces 6 pieces  
Round to the nearest MM  
Cut from 1.5" x 3/4" panels  
Cut at 45 degrees angle





Bottom View  
showing braces